

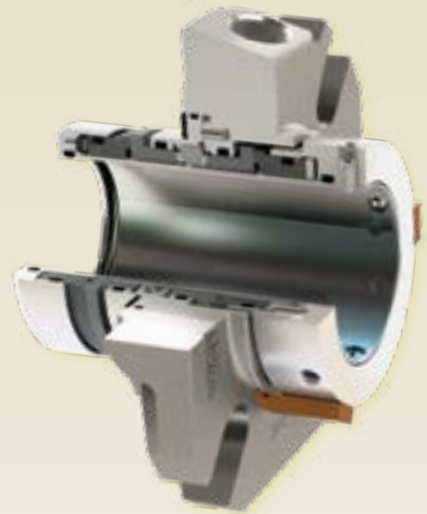
2810 XL

Heavy-Duty Modular Double Cartridge Seal

Built on Chesterton's AXIUS™ modular platform for simple configuration and emission control plant-wide

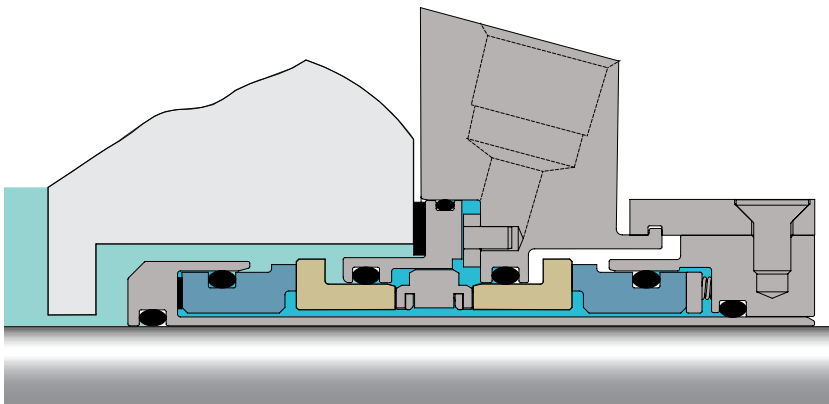
This Chesterton® double cartridge seal offers you the ultimate in seal quality, flexibility, and emissions control. Leveraging Chesterton's proprietary AXIUS modular platform, the 2810 XL can be configured with several different face profiles and auxiliary components within a common gland housing. This flexibility allows seal performance to be tailored to a wide range of process conditions.

A plant-wide sealing solution, the 2810 XL uses a geometric double-balanced seal face design. An optimized barrier/buffer channel for enhanced fluid flow provides greater seal reliability even at elevated temperatures.



Advantages

- Simplifies configuration and maximizes seal performance with the AXIUS™ modular platform
- Maintains reliability throughout temperature cycling and stop/start processes with monolithic seal faces
- Increases face life and reduces contact stress with cushioned drive pins
- Accommodates axial, radial, and angular shaft movement through unified seal face alignment
- Allows for easy, positive seal identification with ViewIn™ technology



SPECIFICATIONS

Operating Parameters

Sizes	125 mm – 200 mm
	5.00" – 8.00"
Pressure	711 mm or 28" Hg Vacuum to 20 bar g (300 psig*)
	13 bar g (200 psig) outboard
Temperature	-55°C – 300°C (-67°F – 570°F)
	Temperature limits depend on actual elastomers used
Speed	20 m/s (4000 fpm)

Applicable Standards and Approvals

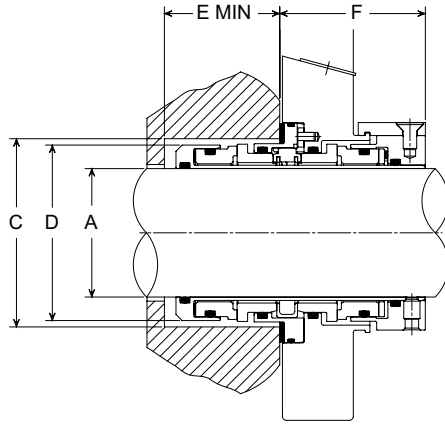
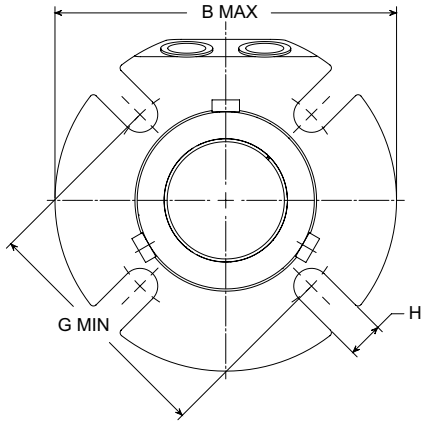
ISO-3069C, ASME B73.1, B73.2, ATEX Category I, Group 2 approved

* Seal pressure capabilities are dependent on the fluid sealed, temperature, speed, and seal face combinations. For operation outside the limits and additional materials consult Chesterton Mechanical Seal Engineering.

Materials of Construction

Rotary Faces	CB
	SSC
	TC
Stationary Faces	SSC
	TC
Elastomers	FKM
	EPDM
	FEPM
	FFKM
Metal Parts	316 Stainless Steel (EN 1.4401)
Springs	Alloy C-276 (EN 2.4819)

Dimensional Data



2810 XL KEY

- A – Shaft Size
- B – Maximum Gland Diameter
- C – Seal Chamber Bore
- D – Seal Outside Diameter
- E – Minimum Seal Chamber Depth
- F – Outboard Seal Length
- G – Minimum Bolt Circle by Bolt Size
- H – Slot Width

2810 XL Dimensional Data Metric

SHAFT SIZE	GLAND OD	STUFFING BOX BORE		IB SEAL DIA	SB DEPTH	OB LENGTH	BOLT CIRCLE BY BOLT SIZE			Stuffing Box To Bolt Surface	NPT Size
		C	C				G MIN				
A	B	MIN	MAX	D	E	F	16 mm	20 mm	24 mm	J MAX	P
125	285	171	190	162	83	104	218	222	226	60	1/2 - 14
130	292	178	197	168	83	104	224	228	232	60	1/2 - 14
140	298	184	203	175	83	104	231	235	239	60	1/2 - 14
150	311	197	215	187	83	104	243	247	251	60	1/2 - 14
160	323	210	228	200	83	104	256	260	264	60	1/2 - 14
170	330	216	234	206	83	104	262	266	270	60	1/2 - 14
180	343	229	247	219	83	104	275	279	283	60	1/2 - 14
190	349	234	253	225	83	104	281	285	289	60	1/2 - 14
200	362	248	266	238	83	104	294	298	302	60	1/2 - 14

2810 XL Dimensional Data Inches

SHAFT SIZE	GLAND OD	STUFFING BOX BORE		IB SEAL DIA	SB DEPTH	OB LENGTH	BOLT CIRCLE BY BOLT SIZE			Stuffing Box To Bolt Surface	NPT Size
		C	C				G MIN				
A	B	MIN	MAX	D	E	F	3/4"	7/8"	1"	J MAX	P
5.000	11.24	6.75	7.48	6.38	3.25	4.09	8.70	8.83	8.95	2.37	1/2 - 14
5.250	11.49	7.00	7.73	6.63	3.25	4.09	8.95	9.08	9.20	2.37	1/2 - 14
5.500	11.74	7.25	7.98	6.88	3.25	4.09	9.20	9.33	9.45	2.37	1/2 - 14
5.750	11.99	7.50	8.23	7.13	3.25	4.09	9.45	9.58	9.70	2.37	1/2 - 14
6.000	12.24	7.75	8.48	7.38	3.25	4.09	9.70	9.83	9.95	2.37	1/2 - 14
6.250	12.49	8.00	8.73	7.63	3.25	4.09	9.95	10.08	10.20	2.37	1/2 - 14
6.500	12.74	8.25	8.98	7.88	3.25	4.09	10.20	10.33	10.45	2.37	1/2 - 14
6.750	12.99	8.50	9.23	8.13	3.25	4.09	10.45	10.58	10.70	2.37	1/2 - 14
7.000	13.24	8.75	9.48	8.38	3.25	4.09	10.70	10.83	10.95	2.37	1/2 - 14
7.250	13.49	9.00	9.73	8.63	3.25	4.09	10.95	11.08	11.20	2.37	1/2 - 14
7.500	13.74	9.25	9.98	8.88	3.25	4.09	11.20	11.33	11.45	2.37	1/2 - 14
7.750	13.99	9.50	10.23	9.13	3.25	4.09	11.45	11.58	11.70	2.37	1/2 - 14
8.000	14.24	9.75	10.48	9.38	3.25	4.09	11.70	11.83	11.95	2.37	1/2 - 14

Chesterton ISO certificates available on chesterton.com/corporate/iso

Distributed by:

Viewin™ and AXIUS™ are trademarks of A.W. Chesterton Company. Technical data reflects results of laboratory tests and is intended to indicate general characteristics only. A.W. Chesterton Company disclaims all warranties express or implied, including warranties of merchantability and fitness for a particular purpose. Liability, if any, is limited to product replacement only. Any images contained herein are for general illustrative or aesthetic purposes only and are not intended to convey any instructional, safety, handling or usage information or advice respecting any product or equipment. Please refer to relevant Safety Data Sheets, Product Data Sheets, and/or Product Labels for safe use, storage, handling, and disposal of products, or consult with your local Chesterton sales representative.

© 2021 A.W. Chesterton Company
 Registered trademark owned by A.W. Chesterton Company in USA and other countries, unless otherwise noted.



A.W. Chesterton Company
 860 Salem Street
 Groveland, MA 01834 USA

Telephone: 781-438-7000
 Fax: 978-469-6528
chesterton.com

Form No. EN350550
 2810 XL Product Data Sheet – English
 07/21